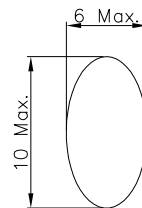


COXOC P/N	length(mm)
C10Q414B01SE550	550±20

- NOTE:
- ELECTRONIC TEST:
 - 1.1.100% OPEN;SHORT OR MISWIRE TEST;
 - 1.2.INSULATION RESISTANCE: 20M OHMS(MIN)
 - 1.3.CONTACT RESISTANCE: 10HMS(MAX)
 - 1.4.HI-POT TEST: DC300V/10ms
 - MEET SFF-8611 SPECIFICATION
 - THE CABLE ASSEMBLY SHALL MEET BELOW IMPEDANCE REQUIREMENT:
TERMINATION AREA: 85±15% OHMS, CABLE ABSOLUTE: 85±10% OHMS
 - THE CABLE ASSEMBLY SHOULD BE RoSH2 COMPLIANT.
 - Latch Retention Force 30N MIN:No damage to plug/cable assembly below Minimum Value.

(DETAIL LABEL)

- NOTE
- TEXT FONT: Arial
 - TEXT Height: 2mm



A-A DETAIL

Part No.:

C10 Q4 1 4 B01S E 550
1 2 3 4 5 6 7

- Series No.
C10=SATA TYPE
- Connector option:
Q4=Oculink 4X 180°
/Oculink 4X RA
- Connector type:
1=M/M
- Cable color:
4=Blue
- Type running no.
- Green option:
E=RoHS
- Length:
550=550mm

6	Lable: Synthetic paper, W=26mm, Blank: White
5	Nylon Braided mesh sleeve, Black , OD6.0mm
4	Acetate tape, W=25mm, Black.
3	OCulink 4X 42pin, 85ohm, R/A, 30u", W/Top press, Black Shell.
2	OCulink 4X 42pin, 85ohm, 180°, 30u", W/Lock press, Black Shell.
1	UL20744,32#2C+2D+AM,Tinned,H,85ohm,12G,Blue
No.	Description

For SIP

UNLESS OTHERWISE SPECIFIED TOLERANCE	
X.	±1.00
.X	±0.50
.XX	±0.30



CHANT SINCERE CO.,LTD
TEL:886-02-86471251 FAX:886-02-86472962

SCALE: AS SHOWN	UNIT: mm
DRAWN Sunny_Liu	12/10/2020
CHECKED	
APPROVED	

Title: OCulink 4X 90° to OCulink 4X 180° Cable

Part NO. C10Q414B01SE550

Code: GB Customer:

Zone	Revision	DESCRIPTION	DATE
	A	ECN-20A016(Wayne)	12/10/2020

Pin Out

	P1		P2		P1		P2		
POWER3.3VACT RX	A1	— NC —	B1	RESERVED	RESERVED	B1	— NC —	A1	POWER3.3VACT RX
GND	A2	—	B2	GND	GND	B2	—	A2	GND
PERP0	A3	—	B3	PETP0	PETP0	B3	—	A3	PERP0
PERN0	A4	—	B4	PETNO	PETNO	B4	—	A4	PERN0
GND	A5	—	B5	GND	GND	B5	—	A5	GND
PERP1	A6	—	B6	PETP1	PETP1	B6	—	A6	PERP1
PERN1	A7	—	B7	PETN1	PETN1	B7	—	A7	PERN1
GND	A8	—	B8	GND	GND	B8	—	A8	GND
BP TYPE	A9	—	B9	BP TYPE	2 WIRE CLOCK	B9	—	A9	2 WIRE CLOCK
CWAKE#	A10	—	B10	CWAKE#	2 WIRE DATA	B10	—	A10	2 WIRE DATA
GROUND	A11	—	B11	GND	GND	B11	—	A11	GND
VSP	A12	—	B12	VSP	PERST#	B12	—	A12	PERST#
VSP	A13	—	B13	VSP	CPRSNT#	B13	—	A13	CPRSNT#
GND	A14	—	B14	GND	GND	B14	—	A14	GND
PERP2	A15	—	B15	PETP2	PETP2	B15	—	A15	PERP2
PERN2	A16	—	B16	PETN2	PETN2	B16	—	A16	PERN2
GND	A17	—	B17	GND	GND	B17	—	A17	GND
PERP3	A18	—	B18	PETP3	PETP3	B18	—	A18	PERP3
PERN3	A19	—	B19	PETN3	PETN3	B19	—	A19	PERN3
GND	A20	—	B20	GND	GND	B20	—	A20	GND
RESERVED	A21	— NC —	B21	POWER3.3VACT TX	POWER3.3VACT TX	B21	— NC —	A21	RESERVED

 For SIP

UNLESS OTHERWISE SPECIFIED TOLERANCE
 X. ±1.00
 .X ±0.50
 .XX ±0.30




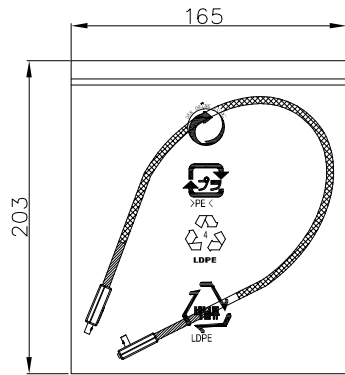
CHANT SINCERE CO.,LTD
 TEL:886-02-86471251 FAX:886-02-86472962

SCALE: AS SHOWN UNIT: mm
 DRAWN **Sunny** 12/10/2020
 CHECKED
 APPROVED

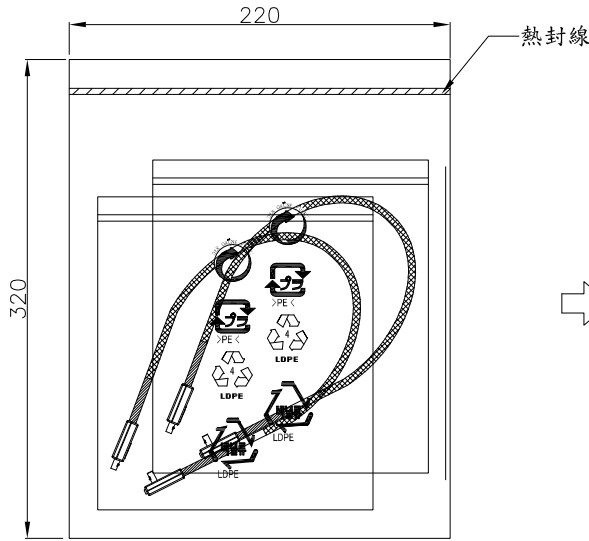
Title: OCulink 4X 90° to OCulink 4X 180° Cable

Part NO. **C10Q414B01SE550**

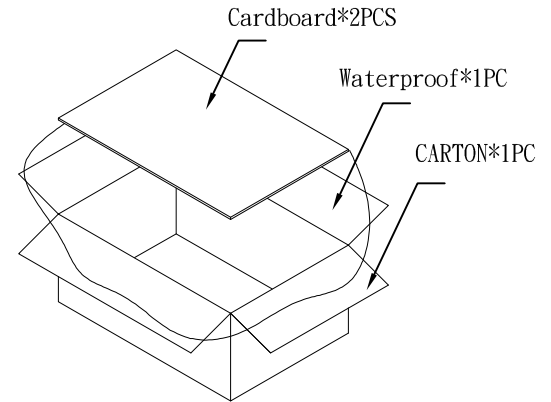
Zone	Revision	DESCRIPTION	DATE		SIZE A4	REV. A	Code: GB	Customer:
1	A	ECN-20A016(Wayne)	12/10/2020					



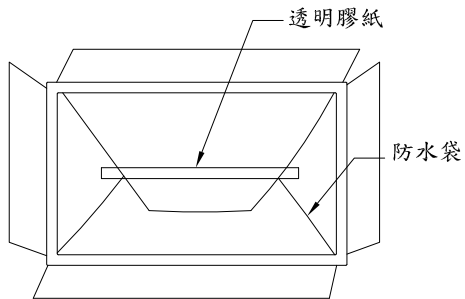
ZIP BAG:L203mmxW165mmxT0.05mm.
(夾鏈袋四國環保標誌)
1PC/ZIP BAG



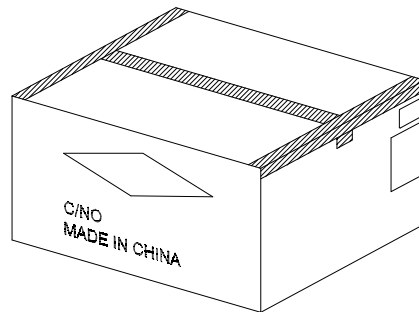
PE BAG:L320xW220xT0.05mm
(空白PE袋)
10SET/BAG



(CARTON:L457*W298*H228mm Material K=K)



(裝好產品後,防水袋需用透明膠紙封口)



(外箱:45.7*29.8*22.8cm 材質:K=K)
(130PCS/CARTON)

PO NO:
ITEM NO:
QTY: PCS
N.W.: KGS
G.W.: KGS
MEAS: 1.1'

(外箱側嚮視圖)

包裝說明:

- 單PCS成品以U型方式放入夾鍊袋,再10小袋裝入一大夾鍊袋.
- 裝箱時,先在外箱內放入一防水袋後,在底部放一隔板、四包乾燥劑,將裝好產品的夾鍊袋放入,共130PCS/CARTON,上面再放一隔板,防水袋交疊後用透明膠紙封口,再用膠紙封外箱.

UNLESS OTHERWISE SPECIFIED TOLERANCE

ANG. ±3°
.X ±0.30
.XX ±0.20

SCALE: AS SHOWN UNIT: mm

DRAWN Sunny 12/10/2020

CHECKED

APPROVED

DATE

SIZE A4

REV. A



CHANT SINCERE CO.,LTD
TEL:886-02-86471251 FAX:886-02-86472962

Title: OCulink 4X 90° to OCulink 4X 180° Cable package

Part NO. C10Q414B01SE550

Code: GB

Customer: