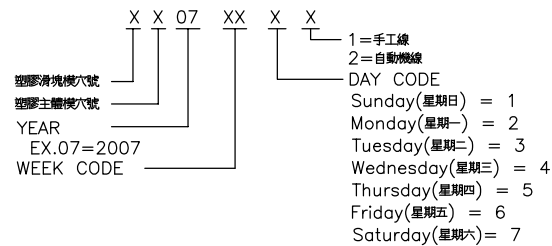


LOGO.



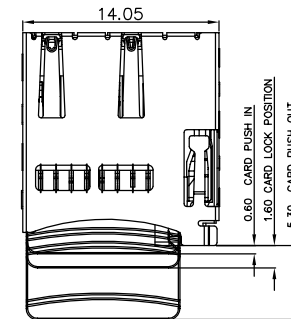
SPECIFICATION:

1. Electrical characteristics
  - 1.1 Contact current rating: 0.5A Max.
  - 1.2 Contact resistance: 100 milli-Ohm Max.
  - 1.3 Insulation resistance: 250V DC or 300V AC for no less than 1 minute, 1000 Megohms MIN.
  - 1.4 Dielectric Strength: Apply 500V AC for 1 minute between adjacent terminals and ground.
2. Mechanical characteristics
  - 2.1 Mating durability: 10000 cycles.
  - 2.2 Insertion force: 2.0Kgf Max.
  - 2.3 Extraction force: 0.5Kgf Min.
3. Environmental characteristics
  - 3.1 Operation temperature range: -25°C to +85°C
4. MATERIAL:
  - Insulator: LCP, rated UL94V-0, color: black.
  - Contacts: Phosphor Bronze, Tin 160u" at Solder Tail, Selected Gold on Contact Area Plating.
  - Shell: Stainless, GOLD FLASH ON SOLDER AREA, OVER NICKEL PLATED (50u" MIN)
  - spring: SWP-B
  - HOOK: Stainless

PART NO.

460 DA3 F 08 P C 0 0 1 X  
1 2 3 4 5 6 7 8 9 10

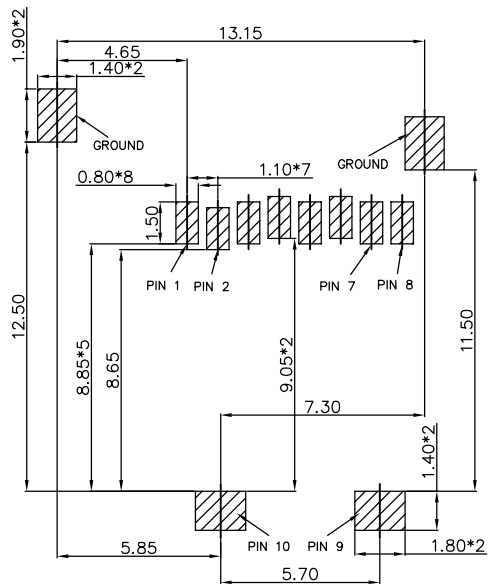
- |   |   |
|---|---|
| 1. SERIES NO.<br>460=MicroSD Connector  | 6. CONTACT AREA PLATING:<br>C=15u" Gold (Selective) |
| 2. TYPE:<br>DA3=Push/Push (Normal type) | 7. SHELL OPTION:<br>0=STANDARD SHELL                |
| 3. GREEN OPTION:<br>F=RoHS(Matte)       | 8. PEG & MYLAR OPTION:<br>0=W/O Peg                 |
| 4. CONTACT NUMBER:<br>08 Pin            | 9. PACKING OPTION:<br>1=TAPE&RELL                   |
| 5. CONTACT TYPE:<br>P=Non Distribution  | 10. INSULATOR COLOR:<br>3=Black                     |



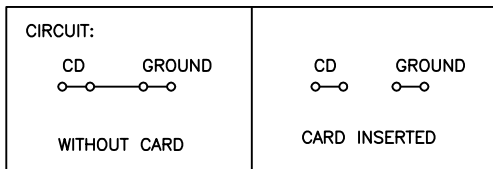
For SIP

UNLESS OTHERWISE SPECIFIED TOLERANCE X.±0.50    x. ± 5" .X±0.38    .x ± 2" .XX±0.25    .xx ± 1"		 <b>CHANT SINCERE CO.,LTD</b> TEL:886-02-86471251 FAX:886-02-86472962	
SCALE: AS SHOWN	UNIT: mm		
DRAWN PEARL	09/02/2016	DRAWN NAME: microSD MEMORY CARD CONN. (PUSH/PUSH NORMAL TYPE) 1/3	
CHECKED	/ /	PRODUCT NO. 460DA3F08PC001X	
APPROVED	/ /	FILE NAME: 460DA3F08PC001C(J03)	
REV.	F	SIZE A4	REV. F

REV.	DESCRIPTION	DATE
1		
2		
3		
4		
5		
6		
7		
8		
9		
10		



RECOMMENDED PCB LAYOUT  
(ALL TOLERANCE ARE  $\pm 0.05$ )



Pin No.	MICRO SD
PIN1	DAT2
PIN2	CD/DAT3
PIN3	CMD
PIN4	VDD
PIN5	CLK
PIN6	VSS
PIN7	DAT0
PIN8	DAT1
PIN9	CARD DETECT
PIN10	

UNLESS OTHERWISE SPECIFIED TOLERANCE  
 X. $\pm 0.50$     x. $\pm 5^\circ$   
 .X $\pm 0.38$     .x $\pm 2^\circ$   
 .XX $\pm 0.25$     .xx $\pm 1^\circ$

SCALE: AS SHOWN    UNIT: mm

DRAWN PEARL    09/02/2016

CHECKED    / /

APPROVED    / /

SIZE A4    REV. F



CHANT SINCERE CO.,LTD  
 TEL:886-02-86471251 FAX:886-02-86472962

DRAWN NAME:  
 microSD MEMORY CARD CONN.  
 (PUSH/PUSH NORMAL TYPE) 2/3

PRODUCT NO. 460DA3F08PC001X

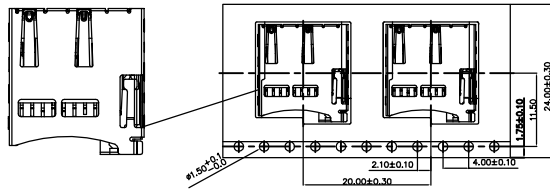
FILE NAME: 460DA3F08PC001C(J03)

REV.	DESCRIPTION	DATE	SIZE	REV.	FILE NAME:
1			A4	F	460DA3F08PC001C(J03)

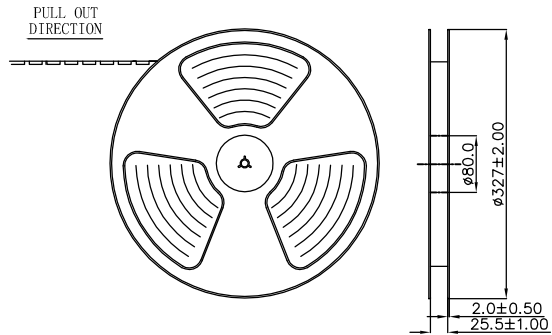
包裝作業圖示及說明

(PACKING OPERATION DIAGRAM & INSTRUCTION)

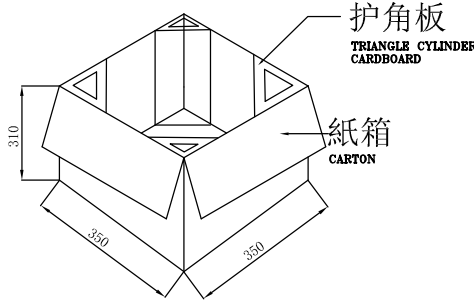
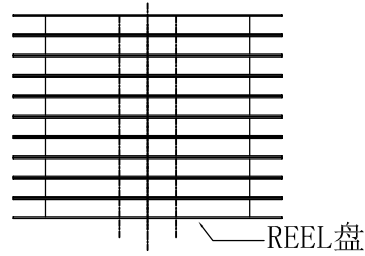
- 一.
- 1) 將成品一一放入REEL包裝盤內, 依同一方向放入 .
  - 2) 包裝時, 如圖所示 .
  - 3) 一個REEL包裝盤放置 1000 個成品 .



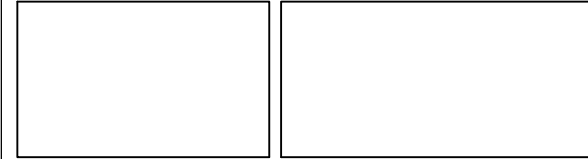
- 二.
- 1) 裝盤前先把前面空15格, 然后再开始裝盤, 尾端也需空出15格.
  - 2) 裝滿成品的REEL包裝盤如下圖所示.



- 三.
- 1) 每箱裝 10 盤REEL包裝盤 .
  - 2) 每箱放置 10000 PCS 的成品 .



- 四.
- 1) 用TAPE將紙箱封實 .



備 註 (REMARK)

1. 若有未裝滿之零數箱, 必須以緩衝材塞滿 .

UNLESS OTHERWISE SPECIFIED TOLERANCE			
ANG.	±5		
0.	±0.50	CHANT SINCERE CO.,LTD TEL:886-02-86471251 FAX:886-02-86472962	
.0	±0.25		
.00	±0.15		
SCALE: AS SHOWN	UNIT: mm		
DRAWN	PEARL	09/02/2016	DRAWN NAME:
CHECKED	/ /		microSD MEMORY CARD CONN. (PUSH/PUSH NORMAL TYPE) 3/3
APPROVED	/ /		PRODUCT NO. 460DA3F08PC001X
REV.			FILE NAME: 460DA3F08PC001C(J03)

REV.	DESCRIPTION	DATE	SIZE	REV.
1			A4	F