

NOTES :

1. MATERIAL:
  - 1-1 HOUSING: HIGH TEMPERATURE PLASTIC  
STANDRAD COLOR-BLACK
  - 1-2 CONTACTS: COPPER ALLOY
  - 1-3 SHELL: STAINLESS STEEL
2. PLATING:
  - 2-1 CONTACT AREA:GOLD PLATING
  - 2-2 SOLDER AREA:MATTE TIN 50u"MIN.  
OVER Ni 50u" MIN.
  - 2-3 SHELL SOLDER AREA:GOLD FLASH AND OVER Ni 20u" MIN.
3. OPERATING TEMPERATURE RANGE: -20 C TO +85 C
4. MECHANICAL PERFORMANCE:
  - 4-1 MATING FORCE: 35N MAX.
  - 4-2 UNMATING FORCE: 10N MIN. initial  
8N MIN. after 5000 CYCLES
  - 4-3 DURABILITY: 5,000 CYCLES.
5. ELECTRICAL PERFORMANCE:
  - 5-1 RATED CURRENT MAX: 5A FOR (VBUS\_P1N1 AND GND\_P1N4)  
0.25A FOR OTHER PER PIN
  - 5-2 CONTACT RESISTANCE: 30 mohm MAX. initial for Vbus and GND contacts.  
50 mohm MAX. initial for all other contacts.

Part no.

377 D D 09 K C T FA J O C X  
1 2 3 4 5 6 7 8 9 10 11 12

- |  |  |
|--|--|
| 1.SERIES NO.<br>377=USB Series             | 7.SOLDER TAILS AREA PLATING:<br>T=Tin          |
| 2.D=SMT                                    | 8.APPLY TYPE:<br>FA=USB 3.1 type               |
| 3.GREEN OPTION:<br>D=RoHS+HF(Matte Plated) | 9.SHELL PLATING:<br>J=Nickel/Solder Gold Flash |
| 4.CONTACT NUMBER:<br>09=9 PINS             | 10.SHELL LOGO:<br>0=W/D Logo                   |
| 5.CONTACT TYPE:<br>K=FEMALE                | 11.PACKING STYLE:<br>C=Tape Reel               |
| 6.CONTACT AREA PLATING:<br>C=15u" Gold     | 12.INSULATOR COLOR:<br>3=Black<br>C=Black+D/C  |

For SIP

UNLESS OTHERWISE SPECIFIED TOLERANCE

.X ± 0.38  
.XX ± 0.25

SCALE: AS SHOWN UNIT: mm

DRAWN Pearl 05/12/2019

CHECKED

APPROVED

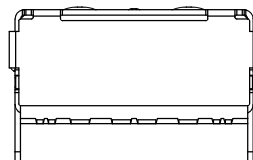
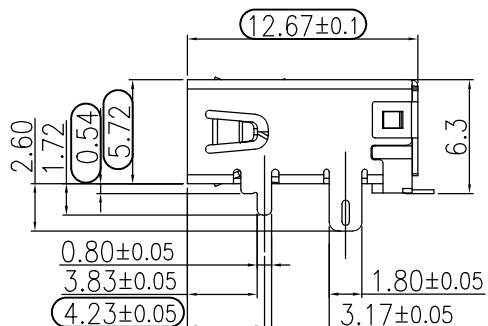
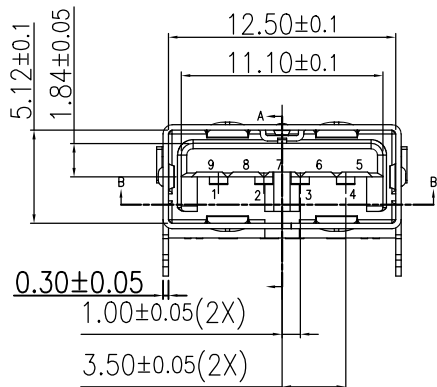
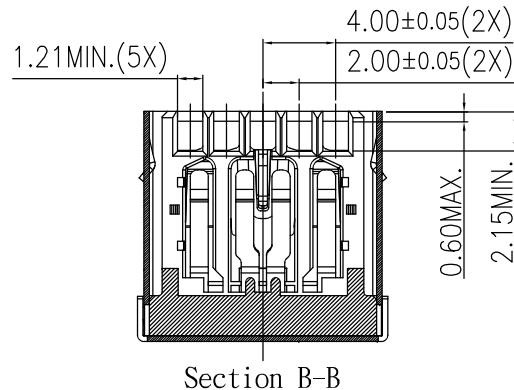
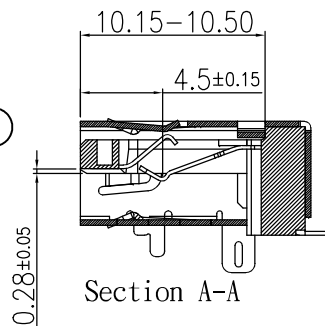
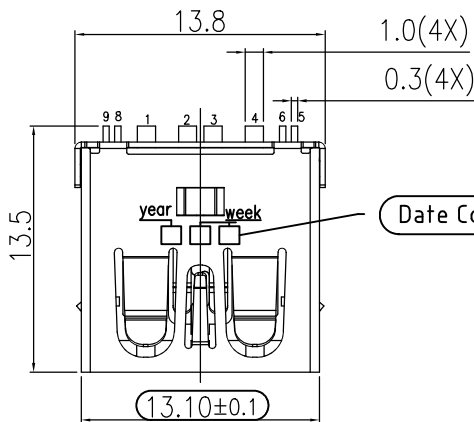


CHANT SINCERE CO.,LTD  
TEL 886-02-86471251 FAX886-02-86472962

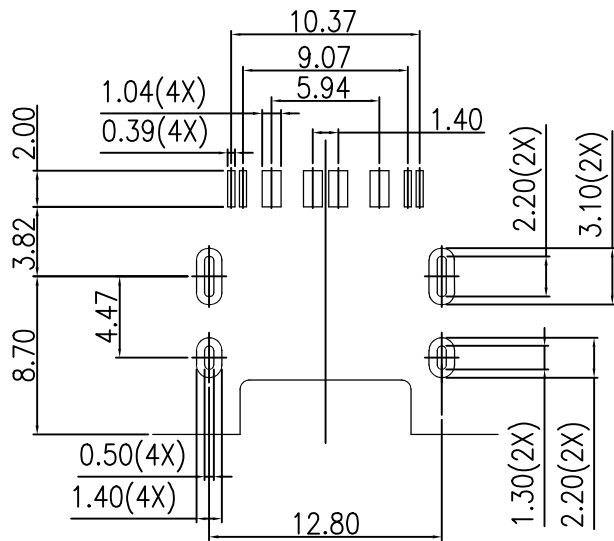
Title:  
USB3.1A, 1 Row SMT,8Pin,Offset 3.4mm  
DIP Shell,Receptace 1/3

Part NO. 377DD09KCTFAJOCX

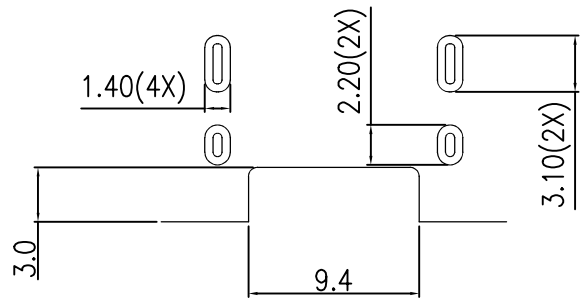
Code: N11 Customer:



Zone	Revision	DESCRIPTION	DATE	SIZE A4	REV. A	Code: N11	Customer:
1	2	3	4	5	6	8	9

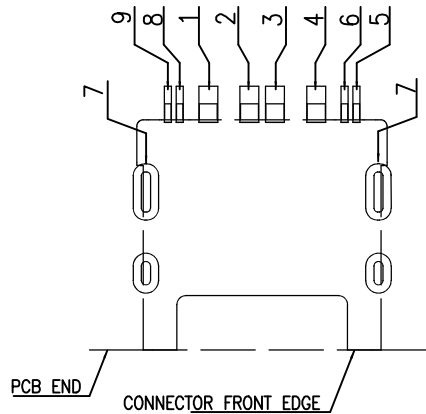


RECOMMENDED P.C.B LAYOUT TOP VIEW  
TOLERANCES  $\pm 0.05\text{MM}$

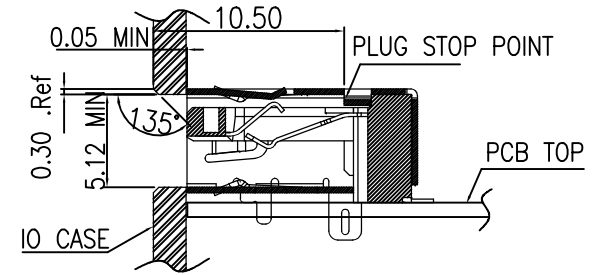
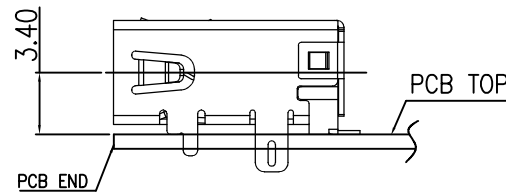


RECOMMENDED P.C.B LAYOUT BOTTOM VIEW  
TOLERANCES  $\pm 0.05\text{MM}$

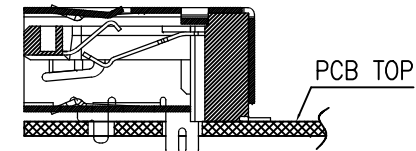
PIN ASSIGNMENT								
1	2	3	4	5	6	7	8	9
VBUS	D-	D+	GND	RX-	RX+	GND	TX-	TX+



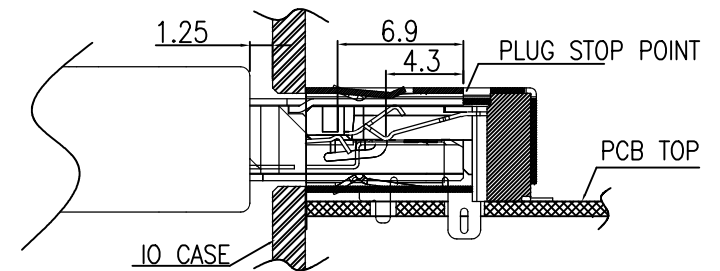
P.C.B LAYOUT TOP VIEW WITH CONNECTORS



IO PANEL



PCB Section



PLUG INTO RECEPTACLE REPRESENT

UNLESS OTHERWISE SPECIFIED TOLERANCE

.X  $\pm 0.38$   
.XX  $\pm 0.25$

SCALE: AS SHOWN UNIT: mm

DRAWN Pearl 05/12/2019

CHECKED

APPROVED



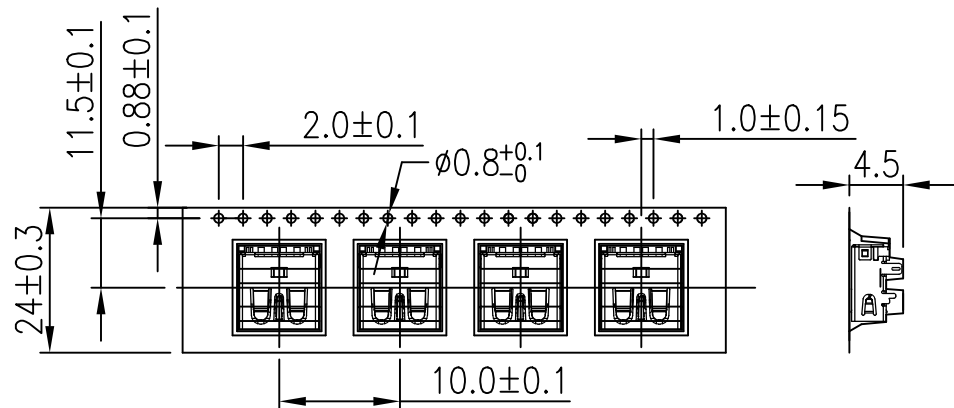
CHANT SINCERE CO.,LTD  
TEL:886-02-86471251 FAX:886-02-86472962

Title: USB3.1A, 1 Row SMT,8Pin,Offset 3.4mm  
DIP Shell,Receptace 2/3

Part NO. 377DD09KCTFAJ0CX

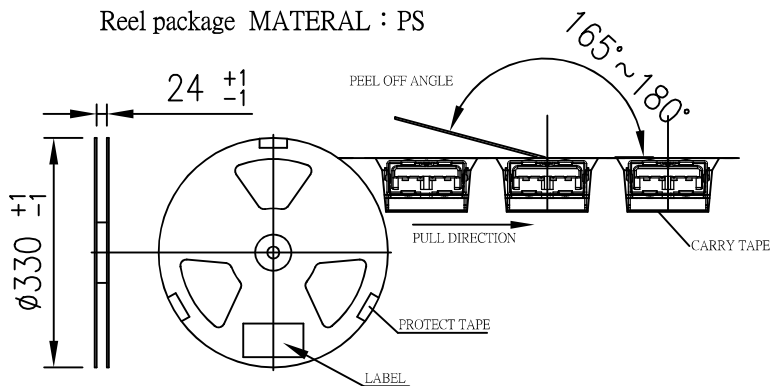
Code: N11 Customer:

Zone	Revision	DESCRIPTION	DATE	SIZE	REV.	Code	Customer
1	2	3	4	5	6	7	8

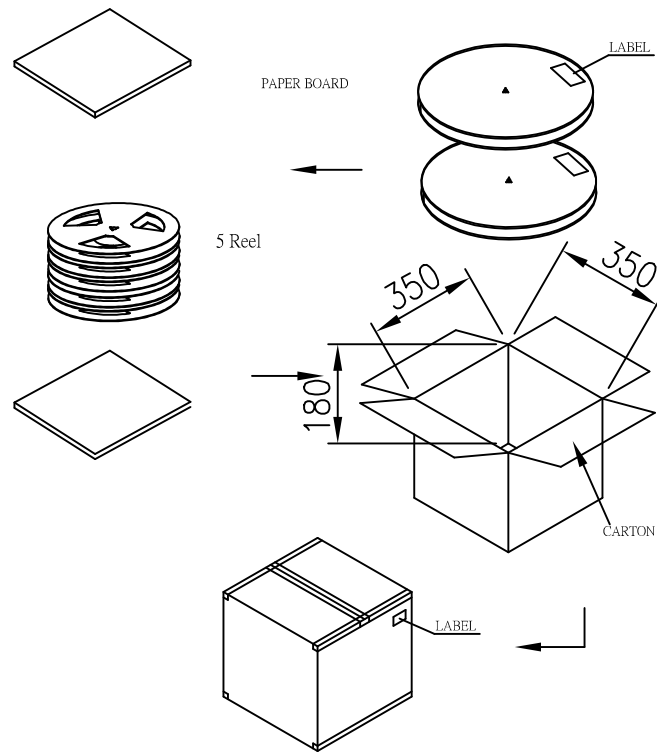
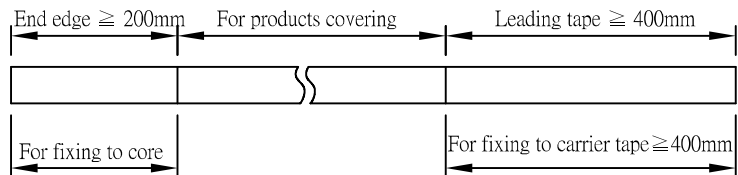





PACKING QUANTITY: 350 pcs/Reel, 5 Reel / BOX

Reel package MATERIAL : PS



Cover Tape MATERIAL : PET



UNLESS OTHERWISE SPECIFIED TOLERANCE		 <b>CHANT SINCERE CO.,LTD</b> TEL:886-02-86471251 FAX:886-02-86472962			
.X ± 0.38 .XX ± 0.25					
SCALE: AS SHOWN	UNIT: mm	DRAWN Pearl	05/12/2019	Title: USB3.1A, 1 Row SMT,8Pin,Offset 3.4mm DIP Shell,Receptace	3/3
CHECKED		APPROVED			
Zone	Revision	DESCRIPTION	DATE	  SIZE A4 REV. A Code: N11 Customer:	