

SPECIFICATIONS:  
 Contact current Rating:  
 1.8 Amperes for pin1&pin4.  
 0.25 Amperes other contacts  
 Dielectric Withstanding Voltage:AC 100V(RMS)  
 Insulation resistance:100Megohms Minimum.  
 Contact Resistance:  
 30mΩ Max for pin1&pin4  
 50mΩMax for other contacts  
 Mechanical Characteristics:  
 Mating Force:35 Newtoms.Maximum  
 Unmating Force:10 Newtoms.Minimum.  
 MATERIAL:  
 Housing: PBT+30%GF 94V-0  
 Contact: copper alloy( T=0.25mm)  
 Shell: SUS or Brass

PLATING:  
 Contact: Au Plated on contact area  
 Tin Plated on solder area  
 Nickel underplating over all  
 Shell: Nickel Plated  
 operating Temperature:-55°to+85°

Part no.

377 A X 09 F X T S8 8 1 A X  
 1 2 3 4 5 6 7 8 9 101112

- 1.SERIES NO.  
377=USB 3.0 Series
- 2.A=STANDARD
- 3.GREEN OPTION:  
G=RoHS (Bright)(Halogen Free)  
H=RoHS(Matte)(Halogen Free)
- 4.CONTACT NUMBER:  
09=09 PINS(USB3.0)
- 5.CONTACT TYPE:  
F=FEMALE
- 6.CONTACT AREA PLATING:  
S=Gold Flash  
R=3u" Gold  
A=5u" Gold  
C=15u"Gold  
D=30u"Gold
- 7.SOLDER TAILS AREA PLATING:  
T=100~200u" TIN (Matte)
- 8.APPLY TYPE:  
S8=A TYPE STRAIGHT
- 9.SHELL PLATING:  
8=STAINLESS  
N=Nickel Plted(Brass)C2680R-EH
- 10.DIP TYPE:  
1=DIP 3.0mm(Standard)
- 11.PACKING STYLE:  
A=TRAY
- 12.INSULATOR COLOR:  
2=BLUE  
3=BLACK

For SIP  
 For cmk/cpk

UNLESS OTHERWISE SPECIFIED TOLERANCE	
x.	+/- 0.30
.x	+/- 0.25
.xx	+/- 0.25
ANGLES	+/- 2.00°

SCALE: AS SHOWN UNIT: mm

DRAWN Vicky 10/02/2014  
 CHECKED //  
 APPROVED //

**OXOC**

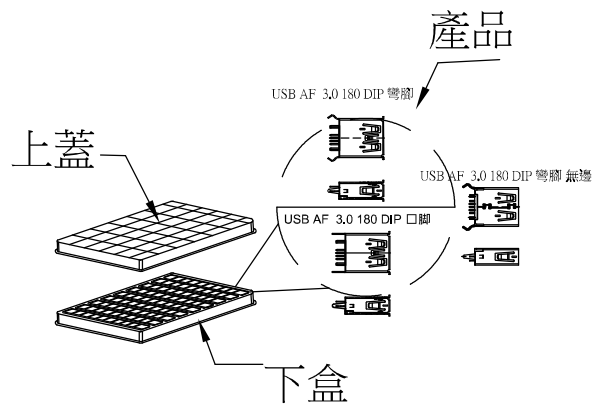
CHANT SINCERE CO.,LTD  
 TEL:886-02-86471251 FAX:886-02-86472962

DRAWN NAME: **USB 3.0 AF 180° DIP**  
 (有卷邊彎腳,腳長3.0) 1/2

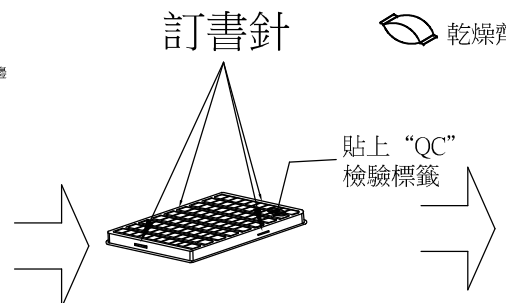
PRODUCT NO. 377AX09FXTS8N1AX

FILE NAME: 377AG09FXTS8N1A3(X02)

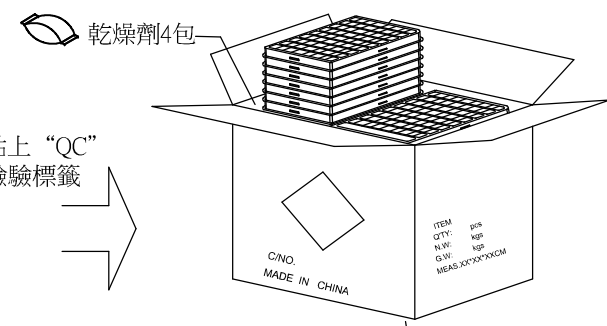
REV.	DESCRIPTION	DATE	SIZE	REV.	FILE NAME
1			A4	B	377AG09FXTS8N1A3(X02)



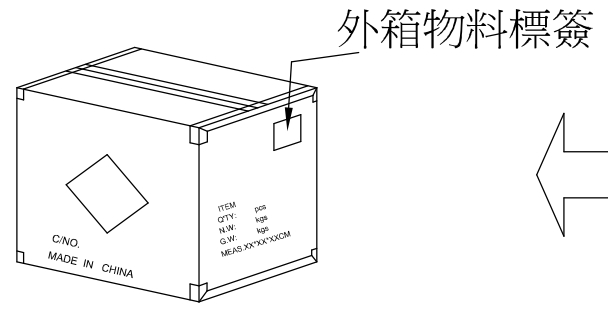
① PE真空盒(1Set).



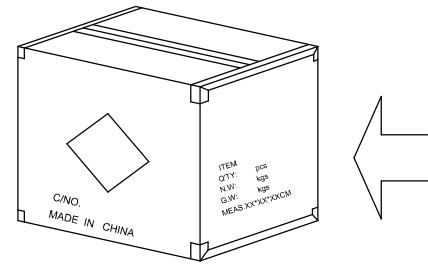
② 100Pcs/盒,四周並用訂書機裝訂  
若客戶有其它特殊要求作按其它方式作業.



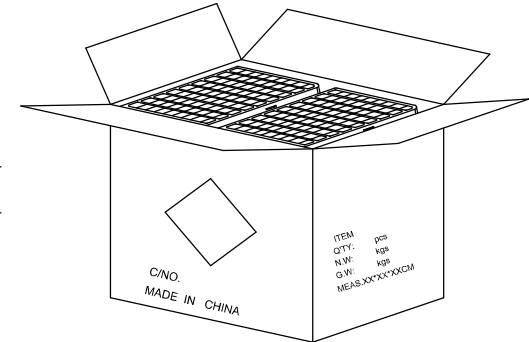
③ 50箱/緞 (5k).



⑥ 依圖示粘貼產品或其他標籤.



⑤ 外箱用透明膠紙帶封工字型.



④ 每箱平放50盒,若尾數箱在空間處加裝填充物.  
紙箱規格: 48.2\*27.2\*25.2CM

備註:

1. PE真空盒1Set
2. 每盒裝成品100Pcs, 四周並用釘書機裝訂;
3. 每箱裝50盒(5K);並放乾燥劑
4. 外箱尺寸與規格印刷: 詳見包材圖面;
5. 外箱用透明膠紙帶封工字型;
6. 依外箱圖示位置粘貼好產品或其他標籤.  
(若客戶另有貼標籤要求, 則按其定單注明之要求貼)

每箱數量	淨重	毛重
5K/緞	9.9KG	12.0KG

UNLESS OTHERWISE SPECIFIED TOLERANCE	
X. +/-	0.30
.X +/-	0.25
.XX +/-	0.25
ANGLES +/-	2.00°



CHANT SINCERE CO.,LTD  
TEL:886-02-86471251 FAX:886-02-86472962

SCALE: AS SHOWN	UNIT: mm
DRAWN Vicky	10/02/2014
CHECKED	//
APPROVED	//

DRAWN NAME:	USB 3.0 AF 180° DIP (有卷邊彎腳,腳長3.0) 2/2
PRODUCT NO.	377AX09FXTS8N1AX
FILE NAME:	377AG09FXTS8N1A3(X02)

REV.	DESCRIPTION	DATE	SIZE	REV.	FILE NAME
1			A4	B	377AG09FXTS8N1A3(X02)