

SPECIFICATIONS:

- 1.0 Electrical Performance:
 - 1.1 Contact current Rating:
 - 1.8 Amperes for VBUS and GND contacts.
 - 0.25 Amperes for all other contacts.
 - 1.2 Dielectric Withstanding Voltage:AC 100V(RMS).
 - 1.3 Insulation resistance:100M ohms Min.
 - 1.4 Contact Resistance:
 - 30m ohm Max for VBUS and GND contacts.
 - 50m ohm Max for all other contacts.
 - 1.5 Voltage Rating : 30 Vac (rms).
- 2.0 Mechanical Performance:
 - 2.1 Mating Force:35N Max.
 - 2.2 Unmating Force:10N Min 8N Min After Durability.
 - 2.3 Durability:5000 cycles.
- 3.0 Environmental Performance:
 - 3.1 Temperature Range:
 - 3.1.1 Operating Temperature:-55°to+85°.
 - 3.1.2 Storage Temperature:-20°to+60°.
 - 3.1.3 Salt Spray 24h Min.
- 4.0 MATERIAL:
 - 4.1 Housing:PA9T,UL94-V0.
 - 4.2 Cover:PA9T,Black,UL94-V0.
 - 4.3 Contact:2.0 contacts C5191.
 - 3.0 contacts C2680.
 - 4.4 Shell:SUS304.
- 5.0 PLATING:
 - 5.1 Contact:Au Plated on contact area
 - Tin Plated on solder area
 - Nickel underplating over all.
 - 5.2 Shell:Nickel 50u"Min Plated.

Part no.

377 A D 09 B X T FL 8 1 A X
1 2 3 4 5 6 7 8 9 10 1112

- 1.SERIES NO. 377=USB Series
- 2.A=Standard (DIP)
- 3.GREEN OPTION: D=RoHS2+HF(Matte Plated)
- 4.CONTACT NUMBER: 09=9 PINS
- 5.CONTACT TYPE: B=FEMALE
- 6.CONTACT AREA PLATING: S=Gold Flash A=5u"Gold C=15u"Gold D=30u"Gold
- 7.SOLDER TAILS AREA PLATING: T=100u"~200u"Tin(Lead Free)
- 8.APPLY TYPE: FL=USB 3.1(CH12.58)
- 9.SHELL PLATING: X3 B=Nickel TO TYPE: 1=W/O Port1
- 11.PACKING STYLE: A=TRAY
- 12.INSULATOR COLOR: 2=Blue 3=Black X2 L=Yellow

UNLESS OTHERWISE SPECIFIED TOLERANCE	
ANGLES +/-	2.00°
.X +/-	0.50
.X +/-	0.38
.XX +/-	0.25



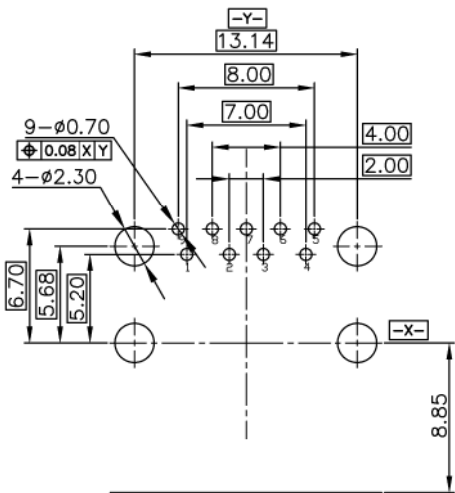
CHANT SINCERE CO.,LTD
TEL:886-02-86471251 FAX:886-02-86472962

For SIP

SCALE: AS SHOWN	UNIT: mm
DRAWN Shian	08/07/2017
CHECKED	
APPROVED	

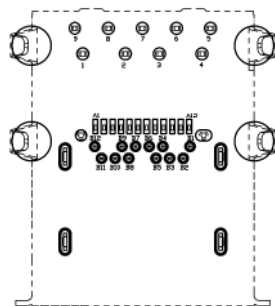
DRAWN NAME:	USB 3.1 AF 架高 90度DIP	1/3 A
PRODUCT NO.	377AD09BXTFL81AX	
FILE NAME:	377AD09BXTFL81A2(X02)	

REV.	DESCRIPTION	DATE	SIZE	A4	REV.	X5

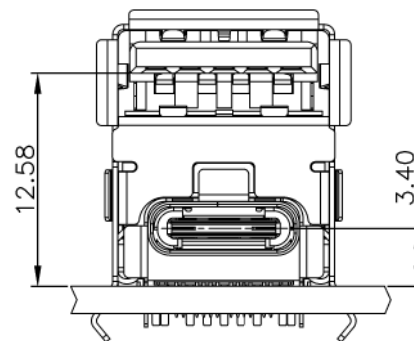


RECOMMENDED P.C.B LAYOUT(TOP VIEW)

P.C.B THICKNESS=1.60mm.TOLERANCE:±0.05



RECOMMENDED CONNECTOR EDGE(TOP VIEW)



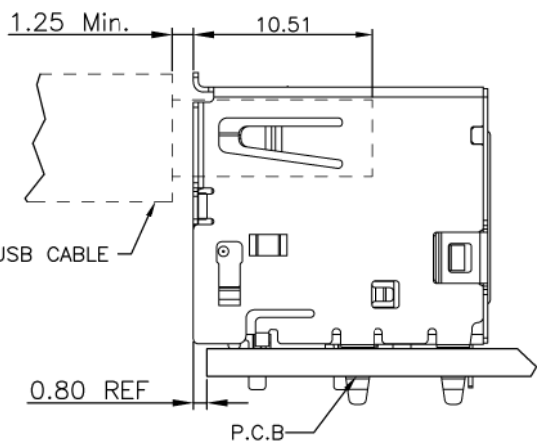
HIGE RISE USB3.1+USB TYPE C

USB 3.1 AF Pin Assignment:

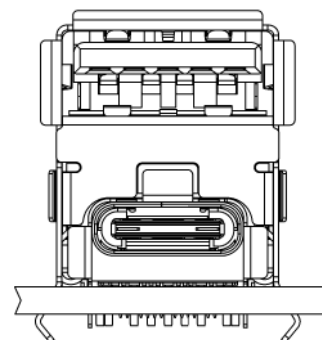
Pin No.	1	2	3	4	5	6	7	8	9
Signal Name	VBUS	D-	D+	GND	SSRX-	SSRX+	GND_DRAIN	SSTX-	SSTX+
Remark	USB2.0 Contact Pin		USB3.1 Contact Pin						

USB Type-C Pin Assignments

No.	Pin No.	Signal Name	No.	Pin No.	Signal Name
1	A1	GND	13	B12	GND
2	A2	SSTXp1	14	B11	SSRXp1
3	A3	SSTXn1	15	B10	SSRXn1
4	A4	V _{BUS}	16	B9	V _{BUS}
5	A5	CC1	17	B8	SBU2
6	A6	Dp1	18	B7	Dn2
7	A7	Dn1	19	B6	Dp2
8	A8	SBU1	20	B5	CC2
9	A9	V _{BUS}	21	B4	V _{BUS}
10	A10	SSRXn2	22	B3	SSTXn2
11	A11	SSRXp2	23	B2	SSTXp2
12	A12	GND	24	B1	GND



RECOMMENDED MOUNTING CONFIGURATION



UNLESS OTHERWISE SPECIFIED TOLERANCE	
ANGLES +/-	2.00°
.X +/-	0.50
.X +/-	0.38
.XX +/-	0.25

SCALE: AS SHOWN UNIT: mm

DRAWN Shian 08/07/2017

CHECKED

APPROVED

DATE



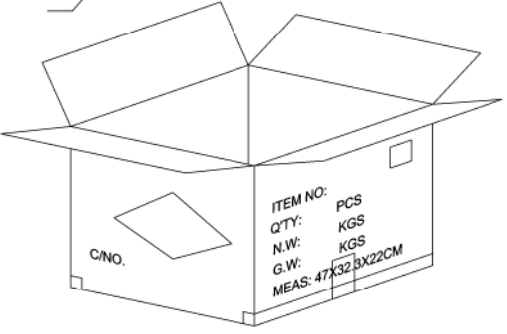
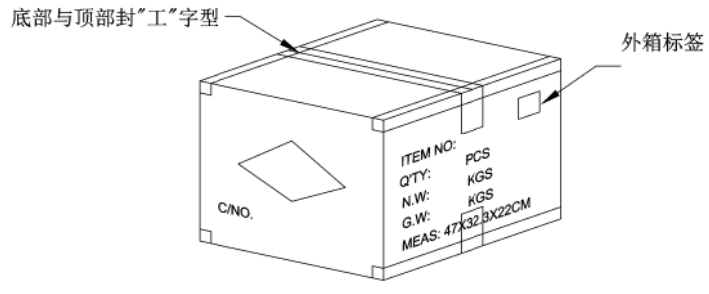
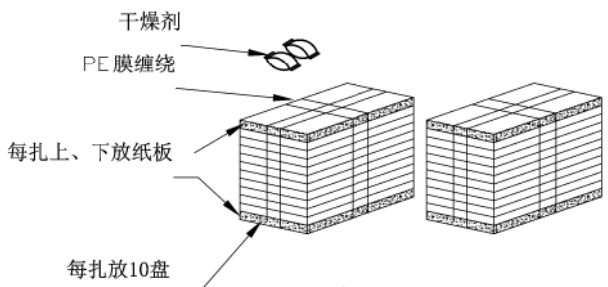
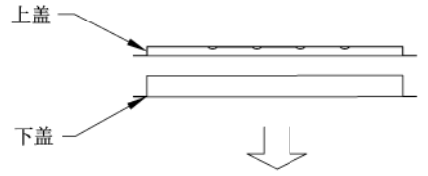
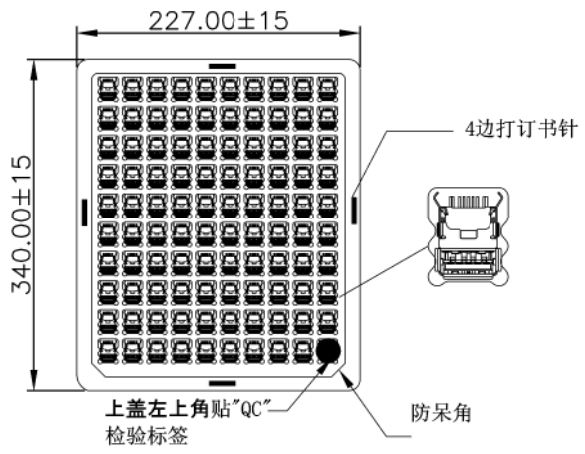
CHANT SINCERE CO.,LTD
TEL:886-02-86471251 FAX:886-02-86472962

DRAWN NAME: USB 3.1 AF 架高 90度DIP 2/3 A

PRODUCT NO. 377AD09BXTFL81AX

FILE NAME: 377AD09BXTFL81A2(X02)

REV.	DESCRIPTION	DATE	SIZE	A4	REV.	X5
------	-------------	------	------	----	------	----



吸塑盘上盖	USB 3.0 AF双层90度插板	吸塑盘上盖, PVC, 透明	PCS	1/100
吸塑盘下盖	USB 3.0 AF双层90度插板	吸塑盘下盖, PVC, 透明	PCS	1/100
纸板	K=K, 21*26CM		PCS	4/2000
外箱	K=K, 外径47*32.3*22CM		PCS	1/2000
品名	规格		单位	用量

UNLESS OTHERWISE SPECIFIED TOLERANCE	
ANGLES	+/- 2.0°
.X	+/- 0.50
.X	+/- 0.38
.XX	+/- 0.25

SCALE: AS SHOWN UNIT: mm

DRAWN Shian 08/07/2017
 CHECKED
 APPROVED

CHANT SINCERE CO.,LTD
 TEL:886-02-86471251 FAX:886-02-86472962

DRAWN NAME: USB 3.1 AF 架高 90度DIP 3/3

PRODUCT NO. 377AD09BXTFL81AX
 FILE NAME: 377AD09BXTFL81A2(X02)

REV.	DESCRIPTION	DATE	SIZE	A4	REV.	X5
------	-------------	------	------	----	------	----