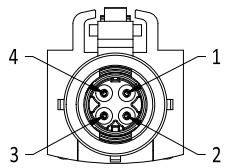
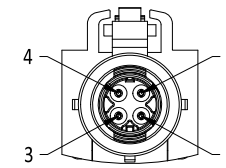
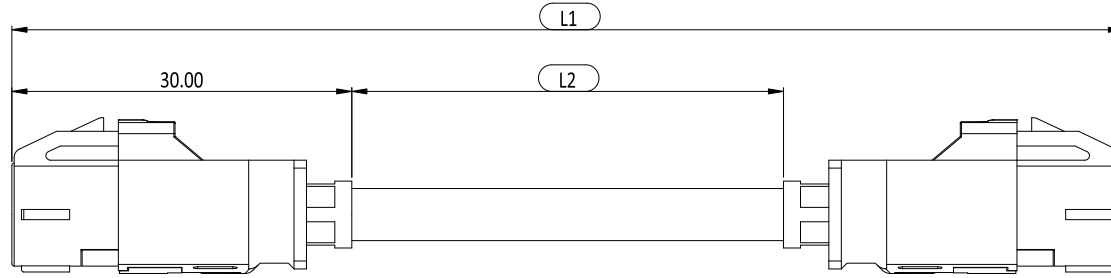


RoHS  
compliant



FRONT VIEW  
SIDE A



FRONT VIEW  
SIDE B

PIN OUT

SIDE A		SIDE B	
1	BLUE	4	
2	ORANGE	3	
3	GREEN	2	
4	BROWN	1	
SHIELD		SHIELD	

**SPECIFICATION**  
**MATERIAL AND FINISH:**  
 1. CODING HOUSING: COLOR SEE PAGE 2

**ELECTRICAL CHARACTERISTIC:**  
 1. INSULATION RESISTANCE: 1000 MΩ FOR CONNECTOR  
 2. FINISHED CABLE 100% CONDUCTIVITY TEST

**ENVIRONMENTAL :**  
 1. OPERATING TEMPERATURE RANGE: -40°C TO +105°C

**PACKING STYLE:**  
 1. BAG

**NOTE:**  
 ALL MATERIALS MUST BE USCAR-2, USCAR-17 AND EIA-364 COMPLIANT;  
 SUPPORTING DOCUMENTATION MUST BE MADE AVAILABLE ON REQUEST

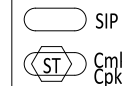
2	CABLE	26 AWGx4C+AL+B, OD=4.6mm, JACKET: TPU, BLACK
1	CONNECTOR	HSD STRAIGHT JACK, INSULATOR: PBT, SHELL: BRASS/PHOSPHOR BRONZE, CRIMP CONTACT PLATING: 6u" Au

ITEM	PART	DESCRIPTION
	G	ECN-2508097(ZOE)ADD NEW P/N
	F	ECN-2502021(JOAN)ADD NEW P/N
	E	ECN-2410066(ZOE)ADD NEW P/N
ZONE	REVISION	DESCRIPTION

X=CODING TYPE; EX: A=A/A · Z=Z/Z

△G	11	1431102011X	C7S14XX3D01E10M	L2=10000±150mm	
△F	10	1431102010X	C7S14XX3C01E5M0	L1=5000±100mm	
△E	9	1431102009X	C7S14XX3C01E2M0	L1=2000±50mm	
△D	8	1431102008X	C7S14XX3C01E1M8	L1=1800±30mm	
△D	7	1431102007X	C7S14XX3D01E2M5	L2=2500±50mm	
	6	1431102006X	C7S14XX3D01E6M0	L2=6000±100mm	
	5	1431102005X	C7S14XX3D01E2M0	L2=2000±50mm	
	4	1431102004X	C7S14XX3D01E1M8	L2=1800±30mm	
	3	1431102003X	C7S14XX3D01E50C	L2=500±15mm	
	2	1431102002X	C7S14XX3D01E1M0	L2=1000±30mm	
	1	1431102001X	C7S14XX3C01E1M0	L1=1000±30mm	
ITEM	NEW P/N	OLD P/N	L ( LENGTH )	NOTE	

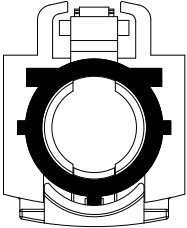
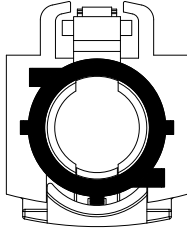
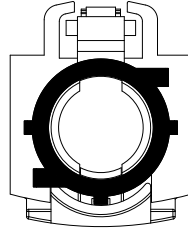
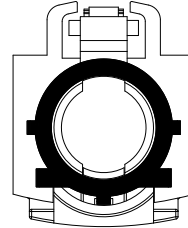
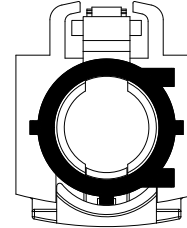
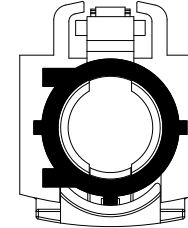
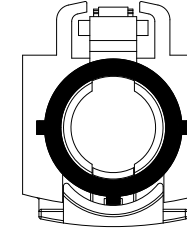
UNLESS OTHERWISE SPECIFIED TOLERANCE  
 ANG. ±5°  
 0. ±0.50  
 .0 ±0.30  
 .00 ±0.20



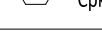

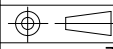


SCALE: 1:1	UNIT: mm	TITLE: PDR-18071
DRAWN: KEVIN_ZHENG	02 Sep 2025	HSD STRAIGHT JACK CABLE
CHECKED: PEARL_HUNG	02 Sep 2025	PART NO. 1431102XXXX
APPROVED: PEARL_HUNG	02 Sep 2025	CODE: U08
SIZE A4	SHEET 1/3	CUSTOMER:

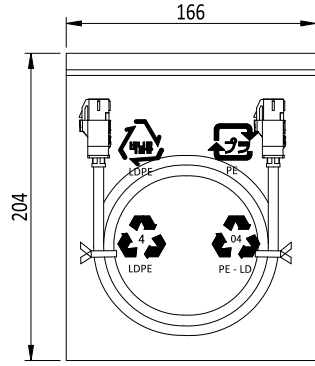
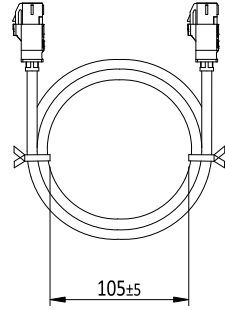
RoHS  
compliant



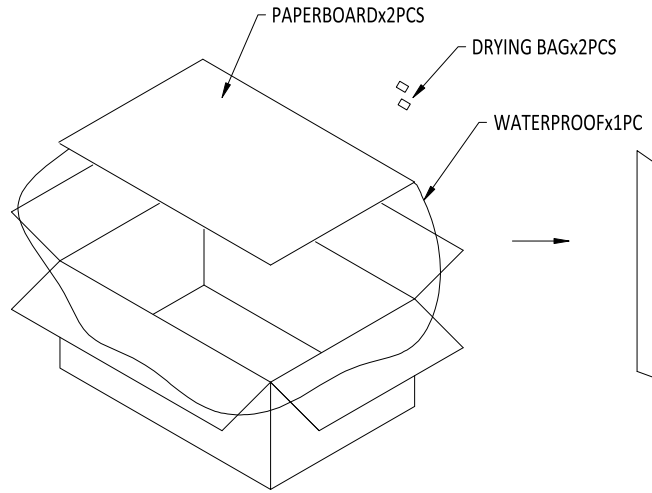
A	B	C	D	E	F	Z
JET BLACK SIMILAR RAL 9005	CREAM SIMILAR RAL 9001	SIGNAL BLUE SIMILAR RAL 5005	CLARET VIOLET SIMILAR RAL 4004	LEAF GREEN SIMILAR RAL 6002	NUT BROWN SIMILAR RAL 8011	WATER BLUE SIMILAR RAL 5021
						

				UNLESS OTHERWISE SPECIFIED TOLERANCE		 SIP  Crmk  Cpk		 <b>CHANT SINCERE CO.,LTD</b>	
				ANG. $\pm 2^\circ$ 0 $\pm 1$ .0 $\pm 0.5$ .00 $\pm 0.25$		SCALE: AS SHOWN UNIT: mm			
		G ECN-2508097(ZOE)SEE PAGE 1/3		21AUG2025		DRAWN: KEVIN_ZHENG		02 Sep 2025	
		F ECN-2502021(JOAN)SEE PAGE 1/3		14FEB2025		CHECKED: PEARL_HUNG		02 Sep 2025	
		E ECN-2410066(ZOE)SEE PAGE 1/3		23OCT2024		APPROVED: PEARL_HUNG		02 Sep 2025	
ZONE		REVISION		DESCRIPTION		DATE		 SIZE A4 SHEET 2/3 REV. G	
1		2		3		4		5	
						TITLE: HSD STRAIGHT JACK CABLE		PART NO. 1431102XXXX	
						CODE: U08		CUSTOMER:	
								9	
								10	

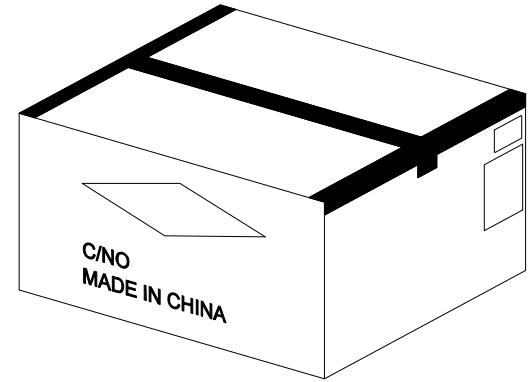
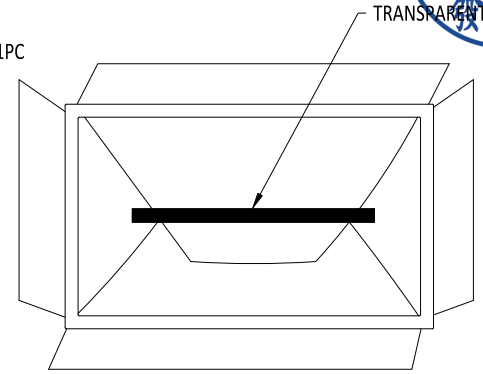
RoHS compliant



ZIP BAG: L204mmxW166mmxT0.05mm  
(夾鏈袋四國環保標誌)  
1PC CABLE/ZIP BAG



CARTON: L410xW350xH310mm  
100PCS/箱



- 包裝說明:
1. 單PCS成品放入夾鍊袋
  2. 先在紙箱底部放一層隔板, 再套一個防水袋, 將產品100PCS整齊擺放至紙箱中, 上面放入2PCS乾燥劑, 收攏袋口, 最後其頂層放一層隔板

UNLESS OTHERWISE SPECIFIED TOLERANCE	SIP
ANG. ±2°	(ST) Cmk
0. ±1	Cpk
.0. ±0.5	
.00 ±0.25	



	G	ECN-2508097(ZOE)SEE PAGE 1/3	21AUG2025	DRAWN: KEVIN_ZHENG	02 Sep 2025	TITLE:	HSD STRAIGHT JACK CABLE	
	F	ECN-2502021(JOAN)SEE PAGE 1/3	14FEB2025	CHECKED: PEARL_HUNG	02 Sep 2025	PART NO.	1431102XXXX	
	E	ECN-2410066(ZOE)SEE PAGE 1/3	23OCT2024	APPROVED: PEARL_HUNG	02 Sep 2025	CODE:	U08	CUSTOMER:
ZONE	REVISION	DESCRIPTION	DATE	SIZE A4	SHEET 3/3	REV.	G	
1	2							