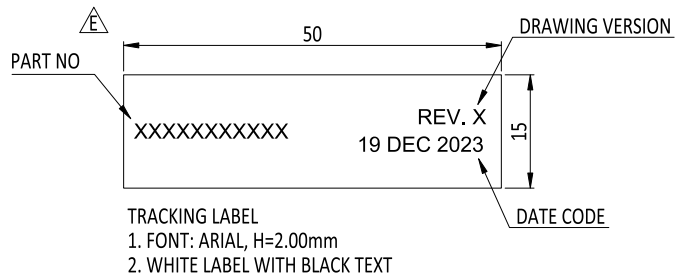
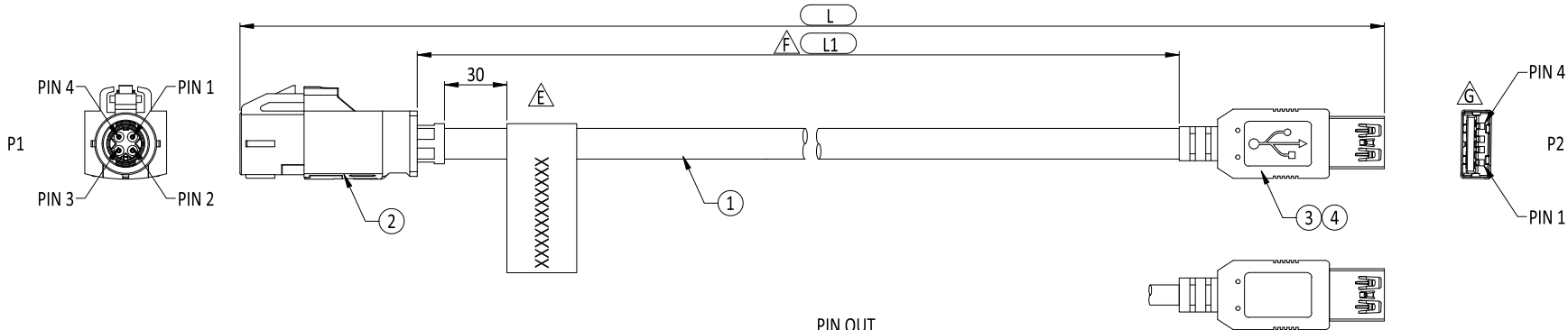


RoHS compliant



| PIN OUT      |            |
|--------------|------------|
| HSD          | USB 2.0 AF |
| 1 GREEN      | 3          |
| 2 RED        | 1          |
| 3 WHITE      | 2          |
| 4 BLACK      | 4          |
| SHIELD 地線+編織 | SHELL      |

**SPECIFICATION**  
**ELECTRICAL CHARACTERISTIC:**  
 1. CONTACT RESISTANCE: 5 Ω MAX.  
 2. INSULATION RESISTANCE: 2 MΩ MIN.  
 3. HI-POT TEST: DC 300 V / 0.1 s  
 2. FINISHED CABLE 100% CONDUCTIVITY TEST

**ENVIRONMENTAL :**  
 1. OPERATING TEMPERATURE RANGE: -40°C TO +105°C

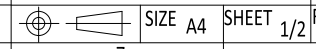
| ITEM | PART      | DESCRIPTION   | Q'TY |
|------|-----------|---|------|
| 4    | PVC       | PVC 45P MOLDED, COLOR BLACK   | 1    |
| 3    | CONNECTOR | USB 2.0 AF TYPE, GOLD-PLATED(G/F), INSULATOR PBT WHITE                | 1    |
| 2    | CONNECTOR | HSD STRAIGHT JACK, INSULATOR PBT UL94V-0                              | 1    |
| 1    | CABLE     | USB2.0 26AWGx4C+A+F+B(16/8/0.1 TC), OD: 4.5mm, BLACK PVC (NO MARKING) | A/R  |

| ITEM | NEW P/N     | OLD P/N          | L (LENGTH)  | LOGO | NOTE |
|------|-------------|------------------|-------------|------|------|
| 3    | 1430203003Z | N/A              | L1=250±15mm | N/A  |      |
| 2    | 1430203002Z | N/A              | L=2000±50mm | N/A  |      |
| 1    | 1430203001Z | C7A12ZA3A01SE1M0 | L=1000±30mm | N/A  |      |

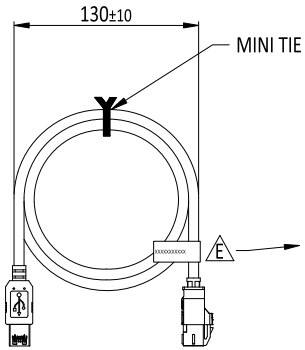
  

|                                      |                |                         |                                  |
|--------------------------------------|----------------|-------------------------|----------------------------------|
| UNLESS OTHERWISE SPECIFIED TOLERANCE |                | SIP<br>Cmk<br>Cpk       | <br><b>CHANT SINCERE CO.,LTD</b> |
| ANG.                                 | ±2°            |                         |                                  |
| 0.                                   | ±0.50          |                         |                                  |
| .00                                  | ±0.30<br>±0.20 |                         |                                  |
| SCALE:                               | AS SHOWN       | UNIT:                   | mm                               |
| DRAWN: HOLLY_TU                      |                | 18 Jun 2025             |                                  |
| CHECKED: VICKY_HSIEH                 |                | 18 Jun 2025             |                                  |
| APPROVED: JASON_HUANG                |                | 20 Jun 2025             |                                  |
| TITLE: PDR-20016                     |                | HSD TO USB 2.0 AF CABLE |                                  |
| PART NO.                             |                | 1430203XXXX             |                                  |
| CODE: GC                             |                | CUSTOMER:               |                                  |

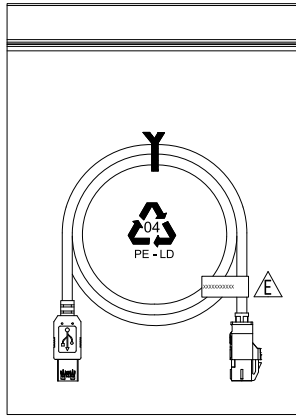
| ZONE       | REVISION | DESCRIPTION                            | DATE       |
|------------|----------|--|------------|
| G9, B6     | G        | ECN-2506037(DONNA)變更舌片方向及BOM清單         | 13JUN02025 |
| G5, B6     | F        | ECN-2504124(POYA)NEW P/N & ADD L1      | 25APR2025  |
| E2, G4, B7 | E        | ECN-2408054(TERESA)NEW P/N & ADD LABEL | 14AUG2024  |



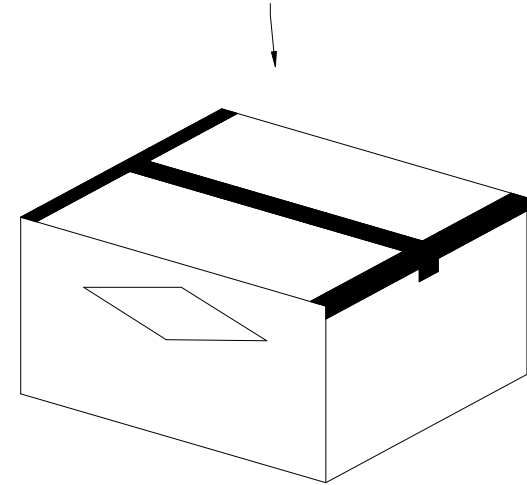
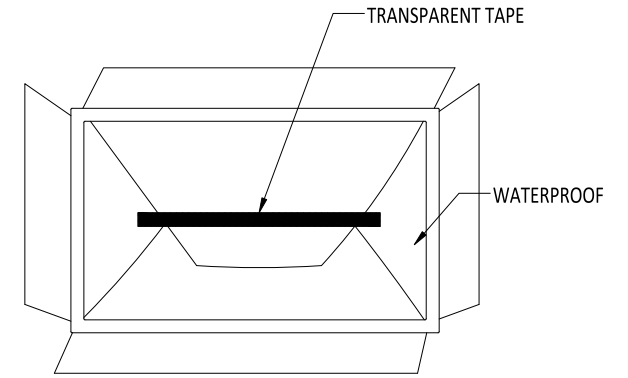
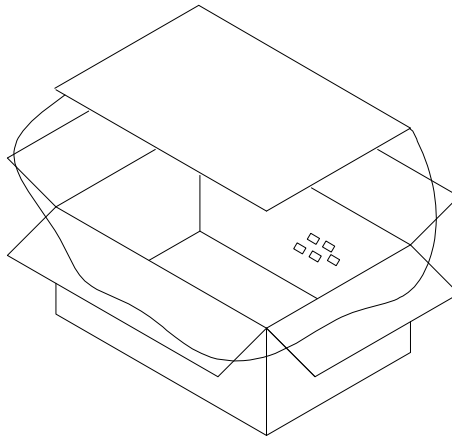
RoHS  
compliant



CABLE



ZIP BAG  
1PC CABLE/ZIP BAG



NOTE:

- 單PC成品放入夾鍊袋
- 先在紙箱底部放一層隔板, 再套一個防水袋, 將產品整齊擺放至紙箱中, 上面放入5PCS乾燥劑, 收攏袋口, 最後其頂層放一層隔板

| 5    | DESICCANT      | M90000EZ0000029  | 2g             | 5 PCS/CARTON      |      |
|------|----------------|------------------|----------------|-------------------|------|
| 4    | WATERPROOF     | M9BE71163507009  | 28"x25"x0.07mm | 1 PC/CARTON       |      |
| 3    | CARDBOARD(B3B) | M9EE330330000300 | 330x330mm      | 2 PCS/CARTON      |      |
| 2    | CARTON         | M9CE406330165500 | 16"x13"x6.5"   | 1 PC/CARTON       |      |
| 1    | ZIP BAG        |                  |                | 1PC CABLE/ZIP BAG |      |
| ITEM | DESCRIPTION    | PART NUMBER      | SPECIFICATION  | Q'TY              | NOTE |

|        | G        | ECN-2506037(DONNA)SEE PAGE 1/2                |   |   | 13JUN2025 |
|--------|----------|---|---|---|-----------|
|        | F        | ECN-2504124(POYA)SEE PAGE 1/2                 |   |   | 25APR2025 |
| F2, F4 | E        | ECN-2408054(TERESA)MODIFY ZIP BAG & ADD LABEL |   |   | 14AUG2024 |
| ZONE   | REVISION | DESCRIPTION                                   |   |   | DATE      |
| 1      | 2        | 3   | 4 | 5 | 6         |

|                                      |             |               |
|--------------------------------------|-------------|---------------|
| UNLESS OTHERWISE SPECIFIED TOLERANCE |             | SIP           |
| ANG.                                 | ±2°         | (ST) Crmk Cpk |
| 0.                                   | ±0.50       |               |
| .0                                   | ±0.30       |               |
| .00                                  | ±0.20       |               |
| SCALE:                               | AS SHOWN    | UNIT: mm      |
| DRAWN:                               | HOLLY_TU    | 18 Jun 2025   |
| CHECKED:                             | VICKY_HSIEH | 18 Jun 2025   |
| APPROVED:                            | JASON_HUANG | 20 Jun 2025   |
| SIZE                                 | A4          | SHEET 2/2     |
| REV.                                 | G           |               |

|                              |             |
|------------------------------|-------------|
|                              |             |
| <b>CHANT SINCERE CO.,LTD</b> |             |
| TITLE: PDR-20016             |             |
| HSD to USB 2.0 AF CABLE      |             |
| PART NO.                     | 1430203XXXX |
| CODE:                        | GC          |
| CUSTOMER:                    |             |