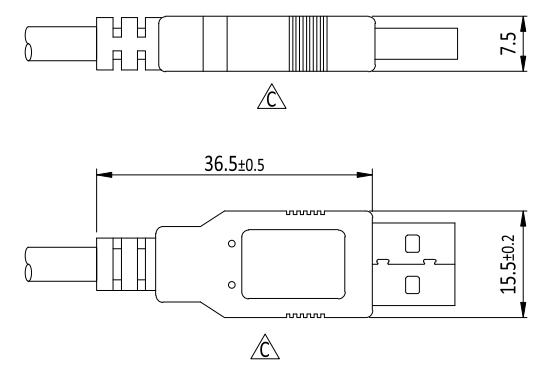
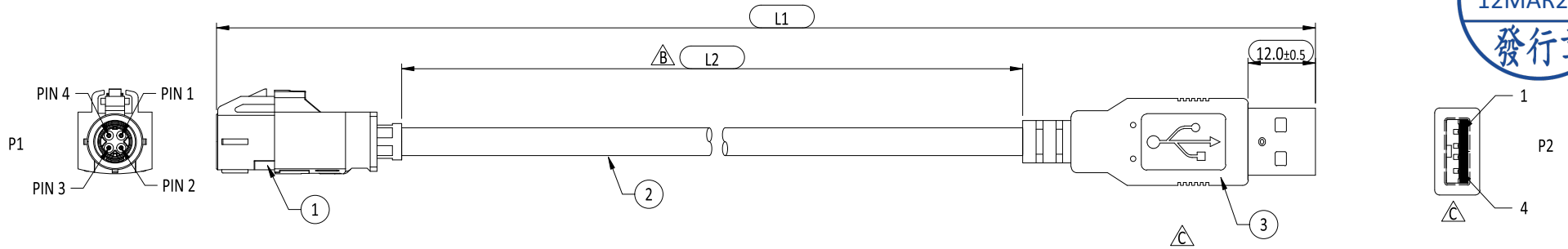


RoHS compliant



PIN OUT	
HSD	USB 2.0 AM
1 — GREEN	3
2 — RED	1
3 — WHITE	2
4 — BLACK	4
SHIELD — 地線+編織	SHELL

SPECIFICATION
ELECTRICAL CHARACTERISTIC:
 1. FINISHED CABLE 100% CONDUCTIVITY TEST
 2. CONTACT RESISTANCE: 5 Ω(MAX.)
 3. INSULATION RESISTANCE: 2 MΩ(MIN.)
 4. HI-POT TEST: DC 300V/ 0.1 S

ENVIRONMENTAL :
 1. OPERATING TEMPERATURE RANGE: -40°C TO +85°C

3	USB	USB 2.0 A TYPE, G/F	1
2	CABLE	USB CABLE OD: 4.5mm	A/R
1	HSD JACK	PBT, UL94V-0; 6u" Au	1
ITEM	PART	DESCRIPTION	Q'TY

LAST DIGITAL OF PART NUMBER X=CODING KEY, SEE PAGE 2/3				
2	1430101002X	L2=1000±30mm	N/A	
1	1430101001X	L1=1000±30mm	N/A	
ITEM	NEW P/N	L (LENGTH)	LOGO	NOTE
UNLESS OTHERWISE SPECIFIED TOLERANCE		SIP	 CHANT SINCERE CO.,LTD	
ANG.	±5°	(ST) Crmk		
0.	±0.50	Cpk		
.0	±0.30			
.00	±0.20			
SCALE:	1:1	UNIT:	mm	
C6, D8, E8, F8, F9	C	ECN-2602065(BENSON)MODIFY USB & WIRE COLOR & SEE PAGE 3/3	24FEB2026	DRAWN: HOLLY_TU 24 Feb 2026
G5, B6	B	ECN-2512027(ELIEEN)ADD P/N · SEE PAGE 3/3	09DEC2025	CHECKED: VICKY_HSIEH 24 Feb 2026
	A	ECN-2308074(SYLIVIA)NEW DWG	31AUG2023	APPROVED: JASON_HUANG 24 Feb 2026
ZONE	REVISION	DESCRIPTION	DATE	REV. C
1	2	3	4	5
TITLE: HSD JACK TO USB 2.0 A TYPE MALE CABLE		PART NO. 1430101XXXX	CODE: GC	CUSTOMER:

C6, D8, E8, F8, F9		C	ECN-2602065(BENSON)MODIFY USB & WIRE COLOR & SEE PAGE 3/3	24FEB2026
G5, B6		B	ECN-2512027(ELIEEN)ADD P/N · SEE PAGE 3/3	09DEC2025
		A	ECN-2308074(SYLIVIA)NEW DWG	31AUG2023
ZONE	REVISION	DESCRIPTION	DATE	REV. C
1	2	3	4	5

RoHS
compliant

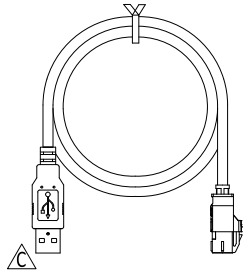


A	B	C	D	E	F	Z
BLACK SIM. 9005	WHITE SIM. 9001	BLUE SIM. 5005	BORDEAUX VIOLET SIM. 4004	GREEN SIM. 6002	BROWN SIM. 8011	WATER BLUE SIM. 5021

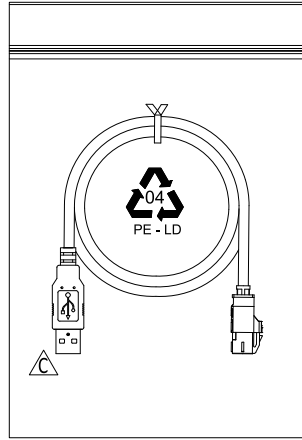
UNLESS OTHERWISE SPECIFIED TOLERANCE		SIP Crk Cpk	 CHANT SINCERE CO.,LTD
ANG.	±5°		
0.	±0.50	SCALE: 1:1	UNIT: mm
.0	±0.30	DRAWN: HOLLY_TU	24 Feb 2026
.00	±0.20	CHECKED: VICKY_HSIEH	24 Feb 2026
		APPROVED: JASON_HUANG	24 Feb 2026
		SIZE A4 SHEET 2/3	REV. C
		TITLE: HSD JACK TO USB 2.0 A TYPE MALE CABLE	
		PART NO. 1430101XXXX	C
		CODE: GC	CUSTOMER:

	C	ECN-2602065(BENSON)SEE PAGE 1/3 & 3/3	24FEB2026
	B	ECN-2512027(ELIEEN)SEE PAGE 1/3, 3/3	09DEC2025
	A	ECN-2308074(SYLVIA)NEW DWG	31AUG2023
ZONE	REVISION	DESCRIPTION	DATE
1	2	3	4

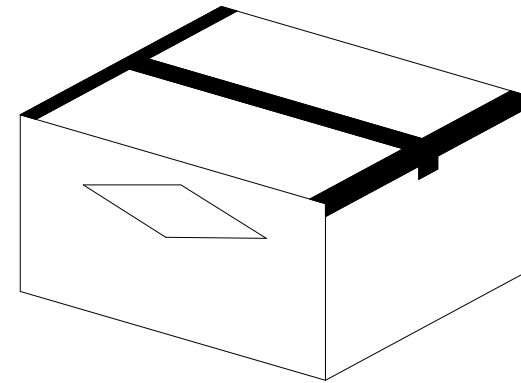
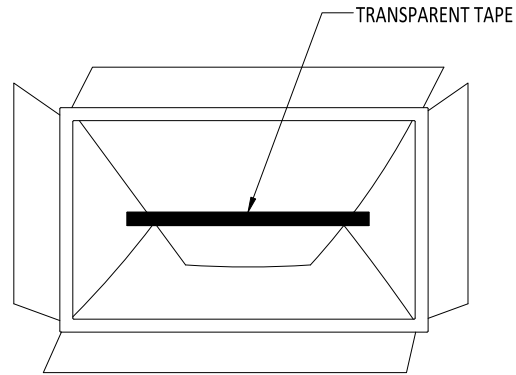
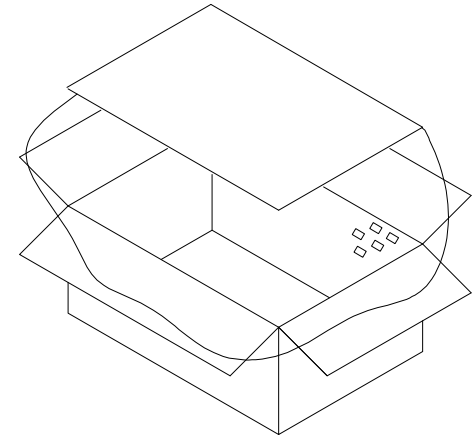
RoHS
compliant



CABLE



ZIP BAG



NOTE:

1. 單 PC成品放入夾鍊袋
2. 先在紙箱底部放一層隔板, 再套一個防水袋, 將產品整齊擺放至紙箱中, 上面放入5PCS乾燥劑, 收攏袋口, 最後其頂層放一層隔板

5	DESICCANT	M90000EZ0000029	2g	5 PCS	
4	WATERPROOF	M9BE71163507009	28"x25"x0.07mm	1 PC	
3	CARDBOARD(B3B)	M9EE330330000300	330x330mm	2 PCS	
2	CARTON	M9CE406330165500	16"x13"x6.5"	1 PC	
1	ZIP BAG	M9BE2401700081I	240x170x0.08mm	1 PC CABLE	
ITEM	DESCRIPTION	PART NO.	SPECIFICATION	Q'TY	NOTE

UNLESS OTHERWISE SPECIFIED TOLERANCE		SIP		 CHANT SINCERE CO.,LTD
ANG.	±5°	Cmk Cpk		
0.	±0.50			
.0	±0.30			
.00	±0.20			
SCALE:	1:1	UNIT:	mm	
DRAWN:	HOLLY_TU	24 Feb 2026	TITLE: HSD JACK TO USB 2.0 A TYPE MALE CABLE	
CHECKED:	VICKY_HSIEH	24 Feb 2026	PART NO. 1430101XXXX	
APPROVED:	JASON_HUANG	24 Feb 2026	CODE: GC CUSTOMER:	
SIZE A4 SHEET 3/3		REV. C		

E1, E4	C	ECN-2602065(BENSON)MODIFY USB & WIRE COLOR & SEE PAGE 1/3	24FEB2026	
	B	ECN-2512027(ELIEEN)NEW PACKAGING IMAGES	09DEC2025	
ZONE	REVISION	DESCRIPTION	DATE	